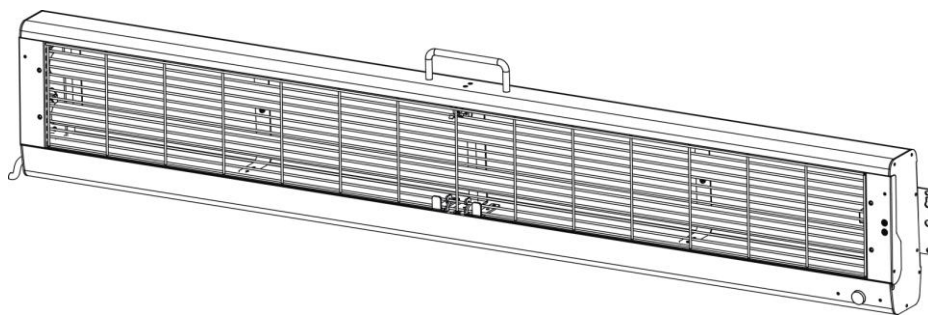


GOLDENSEA UV



UVT72

USER MANUAL

KEEP THIS MANUAL FOR FUTURE NEEDS



Thank you for purchasing a GOLDENSEA UV product. You have acquired a powerful and versatile device. We are confident that you will be satisfied with our excellent products and service. For your own safety, please read this user manual carefully before installing and operating the device.

Contents

1. Operation	3
2. Motion Sensor Operation(if the lamp with Motion Sensor)	3
3. Notes	4
4. Suggestion For Disinfection Time	4
5. Warnings	4
6. Product Overview	5
7. Dimensional Drawings	6
8. Installation Instructions	6
9. Replacing The UV Tube	7
10. Troubleshooting Tips	8
11. Features	9
12. Cleaning and Maintenance	10
13. Service	10

Voltage Input: AC 100-240V~, 50/60Hz; **Power:** 80W; **Product Size:** 1273x75x240mm

This UV lamp is only for commercial use in non-residential locations, such as in the hotels, schools, factories, theaters, gymnasiums, restaurants, offices, etc., it shall only be used by professional person. The warning sign as below shall be shown on the way to the fixture during operation.

IMPORTANT SAFEGUARDS

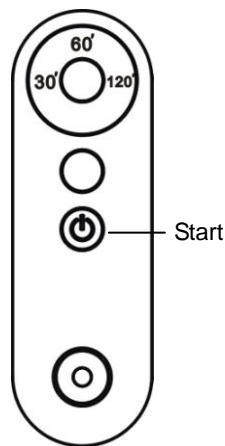
When using electrical equipment, basic safety precautions should always be followed including the following:

READ AND FOLLOW ALL SAFETY INSTRUCTIONS

- a) This equipment is designed for use with germicidal UV radiation sources and UV radiation can pose a risk of personal injury. Overexposure can result in damage to eyes and bare skin. To reduce the risk of overexposure this equipment must be used by professional person.
- b) Maintenance and servicing of this UV generating equipment shall be performed by professional person. Service personnel must wear appropriate Personal Protective Equipment (PPE) if the equipment will be in operation during the maintenance or servicing work. Contact the equipment manufacturer for PPE recommendations and guidance.
- c) When replacing lamps, replace them only with the lamps for which the equipment is marked and intended.
- d) The use of accessory not recommended by the manufacturer may cause an unsafe condition.
- e) Do not use this equipment for other than intended use.
- f) People, pets, and plants should leave the areas when using the disinfection light.
- g) It should be stored well to avoid accidental damage to the sterilizer and personal injury after the sterilization is finished.

1. Operation (Remote Control only)

- 1) Close all the doors and windows.
- 2) Plug-in and power on: press the power switch <I/O> to <I>, the power indicator turns on green.
- 3) Select time setting <30 mins>, <60 mins> or <120 mins> by the Time Setting button on the remote control.
- 4) Press the Start button on the remote control, audible alarm starts beeping and red power indicator on the device will flash regularly for 2 minutes. The UV lamp will turn on after the 2 minutes delay when disinfection time is set, the power indicator stays on red.
- 5) Once the disinfection process ends, the power indicator switches to green, an audible alarm sounds. Open the doors and windows to ventilate the disinfected area.



Note: if the remote control loses pairing with the device, re-do the pairing by pressing the Start button on the remote control and switch on the device for 5 seconds. One remote control can be matched with multiple units of the same model.

2. Motion Sensor Operation (if the lamp with Motion Sensor)

1. Turn on the UV lamp, select the disinfection time and start, leave the room, after 2 minutes alarming (Di....Di...Di....), the UV lamps will switch on automatically, the motion sensor will be activated.
2. The Motion sensor can 'see' through non-metal materials, such as wood board, plastic, fabrics, etc. But the concrete will influence the motion sensor, and the metal board even can stop the detecting ability. So, when the UV Lamps is working, it will turn off when it detects that someone or something moving around within its detecting range even outside the rooms, and it will turn on again when someone or something left.
(detecting range: 3m in an open area without any of the above influence factors)

Note: for safety reason, the UV lamp does not work if the motion sensor is defective.

3. Notes

1. Put the UV lamp on a height of 0cm-400cm to get the best disinfection effect. Please do not put the lamp higher than 400cm, as the Motion Sensor cannot detect perfectly.
2. The surface of the lamp should be kept clean.
3. When disinfecting the surface of an object with ultraviolet rays, the surface to be irradiated should be directly irradiated within 1 meter of ultraviolet rays, otherwise it's necessary to increase the irradiation time.
4. The lamp is fragile. Please handle it with care.
5. According to the latest guideline on the diagnosis and treatment released by the National Health Commission, the virus is sensitive to ultraviolet (UV) light and heat, so UV radiation is a quick and effective way of disinfecting rooms against germs and viruses.

According to the guideline, indoor spaces should be disinfected with UV light with an intensity of over 1.5 watts per square meter. A UV lamp can disinfect objects within one meter for at least half an hour. Longer exposure to radiation is needed when the temperature indoors is below 20°C or above 45°C and relative humidity is over 60%. A room should be ventilated after UV disinfection, and people are suggested to enter the room half an hour later.

4. Suggestion For Disinfection Time

Area	Power	Disinfection Time
20m ²	80W	30min
40m ²	80W	60min
80m ²	80W	120min



5. Warnings

The UV-C wavelength is 253.7nm, the radiation intensity in 200mm distance is 1600.1 uw/cm².

<p>CAUTION: TO REDUCE THE RISK OF FIRE USE ONLY _ TUV 36W SLV/6 T8_ LAMP</p>	<p>ATTENTION – RISQUE D’INCENDIE UTILISER UNIQUEMENT LES LAMPES _ TUV 36W SLV/6 T8</p>
---	---

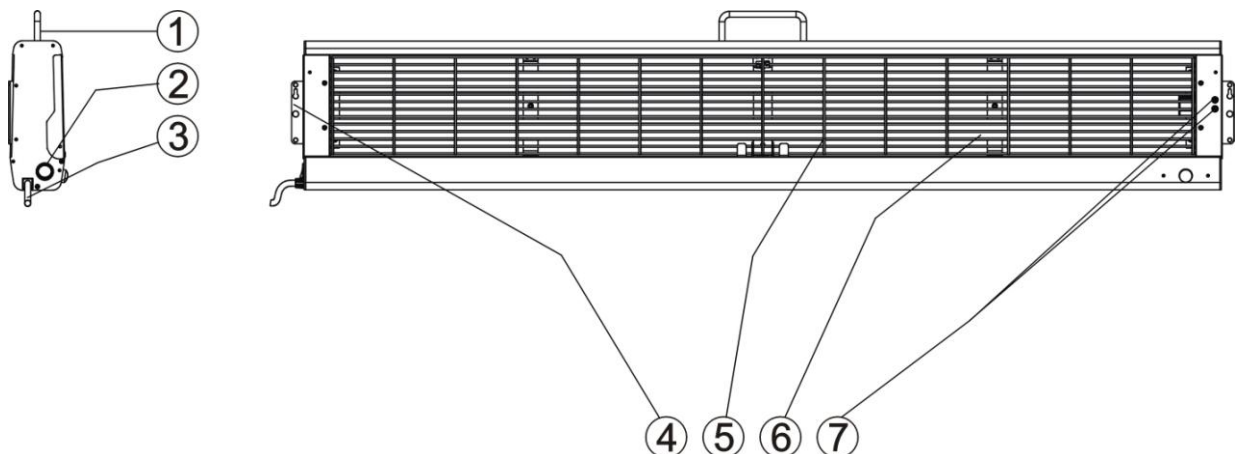
<p>Suitable for damp locations CONVIENT AUX EMPLACEMENTS HUMIDES</p>

<p>WARNING – RISK OF PERSONAL INJURY</p> <p>THIS EQUIPMENT IS DESIGNED FOR USE WITH GERMICIDAL LAMPS OR UV SOURCES AND MUST BE INSTALLED AND USED IN COMPLIANCE WITH COMPETENT TECHNICAL DIRECTIONS TO PREVENT THE USER'S EYE AND BARE SKIN FROM EXPOSURE TO HARMFUL UV OR OPTICAL RADIATION. PEOPLE, PETS AND PLANT SHOULD LEAVE THE AREAS WHEN USING THE DISINFECTION LIGHT. DO NOT USE THIS EQUIPMENT IN A DWELLING EYE DAMAGE MAY RESULT FROM DIRECTLY VIEWING THE LIGHT PRODUCED BY THE LAMP IN THIS EQUIPMENT. ALWAYS TURN OFF LAMP BEFORE SERVICING.</p>	<p>Avertissement – RISQUE DE BLESSURES CORPORELLES</p> <p>CET ÉQUIPEMENT EST CONÇU POUR ÊTRE UTILISÉ AVEC DES LAMPES GERMICIDALES OU DES SOURCES UV ET DOIT ÊTRE INSTALLÉ ET UTILISÉ EN CONFORMITÉ AVEC LES DIRECTIVES TECHNIQUES COMPÉTENTES POUR EMPÊCHER L'ŒIL DE L'UTILISATEUR ET LA PEAU NUE DE L'EXPOSITION À DES RAYONS UV OU OPTIQUE NOCIFS. LES PERSONNES, LES ANIMAUX DE COMPAGNIE ET LES PLANTES DEVRAIENT QUITTER LES ZONES LORS DE L'UTILISATION DE LA LUMIÈRE DE DÉSINFECTION. N'UTILISEZ PAS CET ÉQUIPEMENT DANS UN LOGEMENT LES DOMMAGES OCULAIRES PEUVENT RÉSULTER DE L'OBSERVATION DIRECTE DE LA LUMIÈRE PRODUITE PAR LA LAMPE DANS CET ÉQUIPEMENT. ÉTEIGNEZ TOUJOURS LA LAMPE AVANT L'ENTRETIEN.</p>
--	--

<p>UV-C RISK GROUP 3</p> <p>WARNING: UV-C emitted from this product. Avoid eye and skin exposure to unshielded product. Follow installation instructions and user manual.</p> 	<p>GROUPE DE RISQUE UV-C 3</p> <p>AVERTISSEMENT UV-C émis par ce produit. Évitez l'exposition des yeux et de la peau au produit non fumé. Suivez les instructions d'installation et le manuel d'utilisation.</p> 
--	---

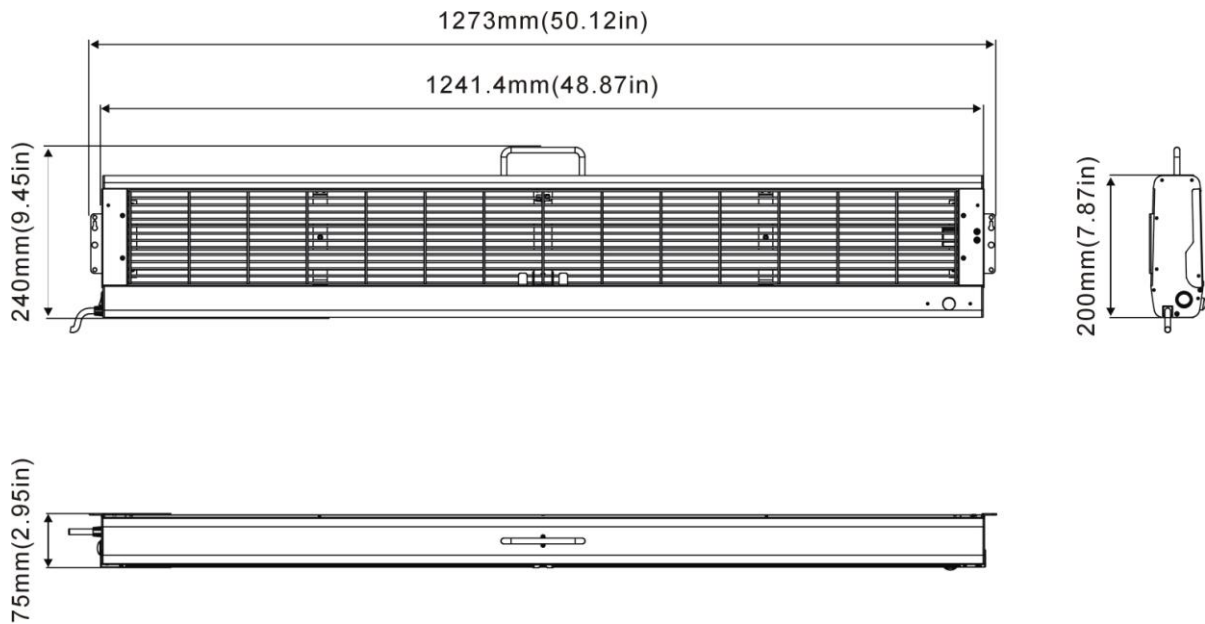
SAVE THESE INSTRUCTIONS

6. Product Overview



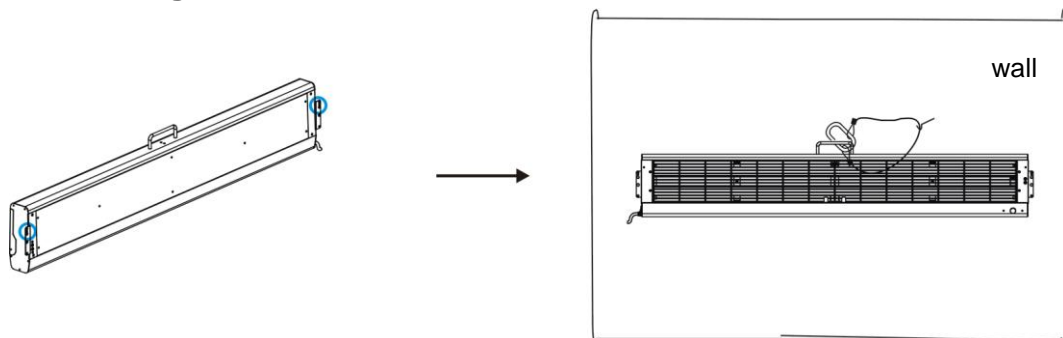
- | | |
|-----------------|---------------------|
| 1) Handle | 4) Protective Grid |
| 2) Power Switch | 5) UV Tube |
| 3) Power Cable | 6) Indicator Lights |
| 4) Hanging Hook | |

7. Dimensional Drawings



8. Installation Instructions

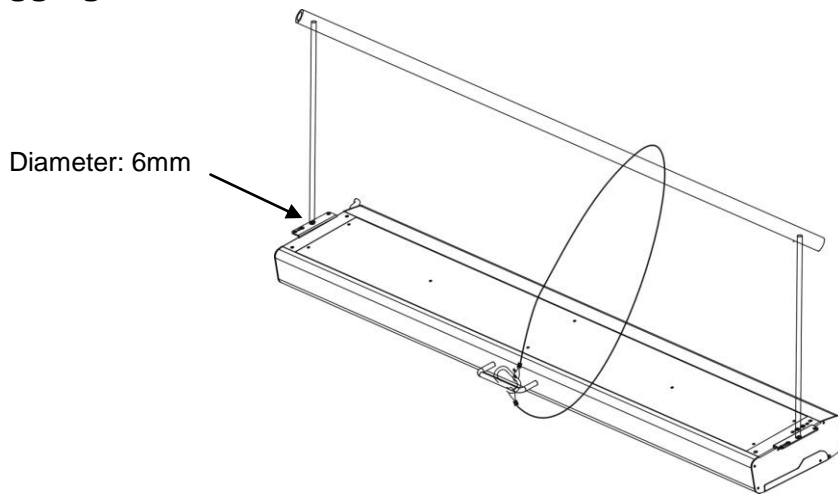
8.1 Wall Mounting



Steps:

1. Mount 2 screws (M4) on the wall with a distance of 1261.7mm.
2. Mount the device onto the 2 screws using the 2 hooks of the device (as shown).
3. Attach a safety cable (not included) between the handle of device and a fixing point on the wall.
(ATTENTION! This step is essential to prevent the device from falling off by accident or misuse)

8.2 Rigging Installation

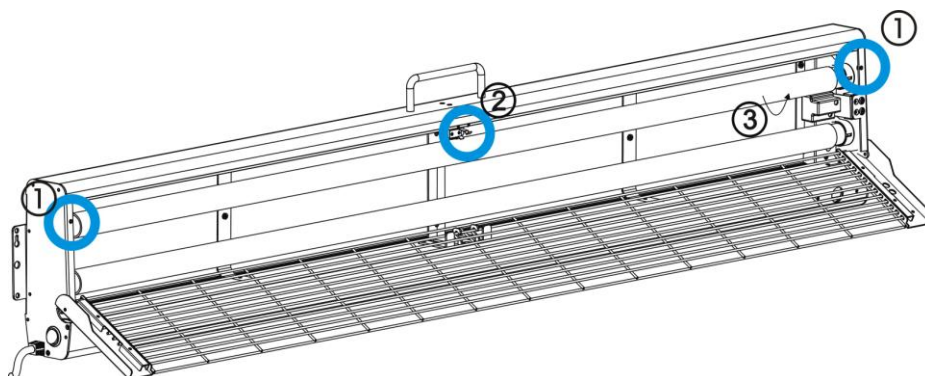


Steps:

1. Fix your hanging rods into the holes (diameter: 6mm) of the rigging brackets on the device as shown.
(Note: the hanging rods are not included)
2. Attach a safety cable (not included) between the handle of device and a fixing point on the ceiling or wall.
(ATTENTION! This step is essential to prevent the device from falling off by accident or misuse).

9. Replacing The UV Tube

To maintain the sterilizing efficacy, the UV tube needs to be replaced after 9,000 hours of use.



Steps:

1. Wait for UV tube to cool down (to avoid scalding) after switching off the device.
2. Loosen the 2 screws (M3x8mm) ① on both sides of the device.
3. Pull up the grid opening tab ② and open the Protective Grid.

4. Holding the UV tube and turn it 90° anti clockwise (or clockwise) ③ as shown and take it out from its holder.
 Note: please follow your local toxic and hazardous waste regulations for lamp disposal.
5. Insert the new UV tube into the holder and turn the UV tube 90° anti clockwise (or clockwise) until it fits into place correctly and tightly.
 Note: direct contact with new UV tube should be avoided as grease from your skin may reduce the efficiency of the UV tube. It is advised to wear protective gloves when handling a new UV tube.
6. Re-install the Protective Grid and push down the tab ② to lock, tighten the 2 screws (M3x8mm) ① on both sides of the device. The device is now ready for use.

10. Troubleshooting Tips

10.1 What to do if the device doesn't work?

1. Ensure the device is plugged into a working wall socket.
2. Ensure the plug is wired correctly and terminal well-connected.
3. If you still have issues with the device, please contact your local dealer or our customer service for assistance.

10.2 How often should the UV tube be replaced?

1. The UV tube is the core of the product, it should be replaced after 9000 hours of use to maintain the germicidal efficacy.
2. The UV tube is defected if it flashes, please contact your local dealer or our customer service to order a new UV tube. For replacing the UV tube, please refer to the instructions in this user manual.
3. After use for a period of time, it is normal to find some black spots on both sides of the UV tube.

10.3 The Audio alarm signal and LED indicator signal for this product:

Status	Audio Alarm	Power Indicator
Standby	-	Green indicator on
Delayed Start	Beeping for 2 minutes regularly (frequency increase in the countdown 10 seconds)	Red indicator flashing for 2 minutes regularly (frequency increase in the countdown 10 seconds)
Lamp Strike	UV Lamp on after 15 seconds when the beeping stops	Red indicator on after beeping stops

Emitting (working)	Single beep every 10 seconds	Red indicator on
Motion Detected	Dual beeps every 10 seconds	Red & Green indicators flashing
End of Cycle	Triple beeps every 10 seconds (in 30 seconds)	Green indicator on

11. Features

Light Source

- Lamp:
TUV 36W SLV/6 T8 (PHILIPS)
or
HNS 36W G13 (G36T8/OF) PURITEC UV-C Germicidal Low Pressure Lamp (OSRAM)
- Extremely long Life: up to 9,000 H

Features

- Delayed start (2-min delayed start)
- Motion sensor
- Audio alarm
- Visual indicator lights
- 3 disinfection time settings
- Power switch
- Through wall remote control

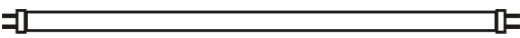
Product Type



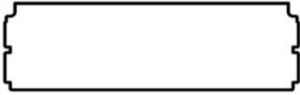



Industrial Ultraviolet disinfection light

Weight

Net weight: 5 kg

Accessories List:

UV Tube		Included
---------	--	----------

Remote Control (battery type: CR2025)		Included
UV Glasses (protective eyewear)		Included
Reflector		Included
Warning Sign		Included
Safety Cable		Optional
UV Irradiance Meter		Optional

12. Cleaning and Maintenance

1. To ensure the device remains in good condition and does not fail prematurely, regular maintenance, cleaning and checks are required.
2. For cleaning of the device, please use a lint-free cloth.
3. To avoid damage to the device, never use detergent or solvents.
4. Never spray insecticide towards the device, it can discolor or damaged.
5. Should you need any spare parts, please order genuine parts from your local dealer.

13. Service

For all service needs, please contact your local authorized dealer or GOLDENSEA customer service. Our contact details are:

Email: support@goldenseauv.com

Tel: +86 20 3996 6388

Address: No.109 Haiyong Road, Shiji Town, Panyu Zone, Guangzhou, China. 511450

*Errors and omissions for all information given in this user manual are expected.
All information is subject to change without prior notice.*

GOLDENSEAUM